



**GAS GAS**

**2011**



**EC-250/300-E 2011**

**DESPIECE / / PART LIST**

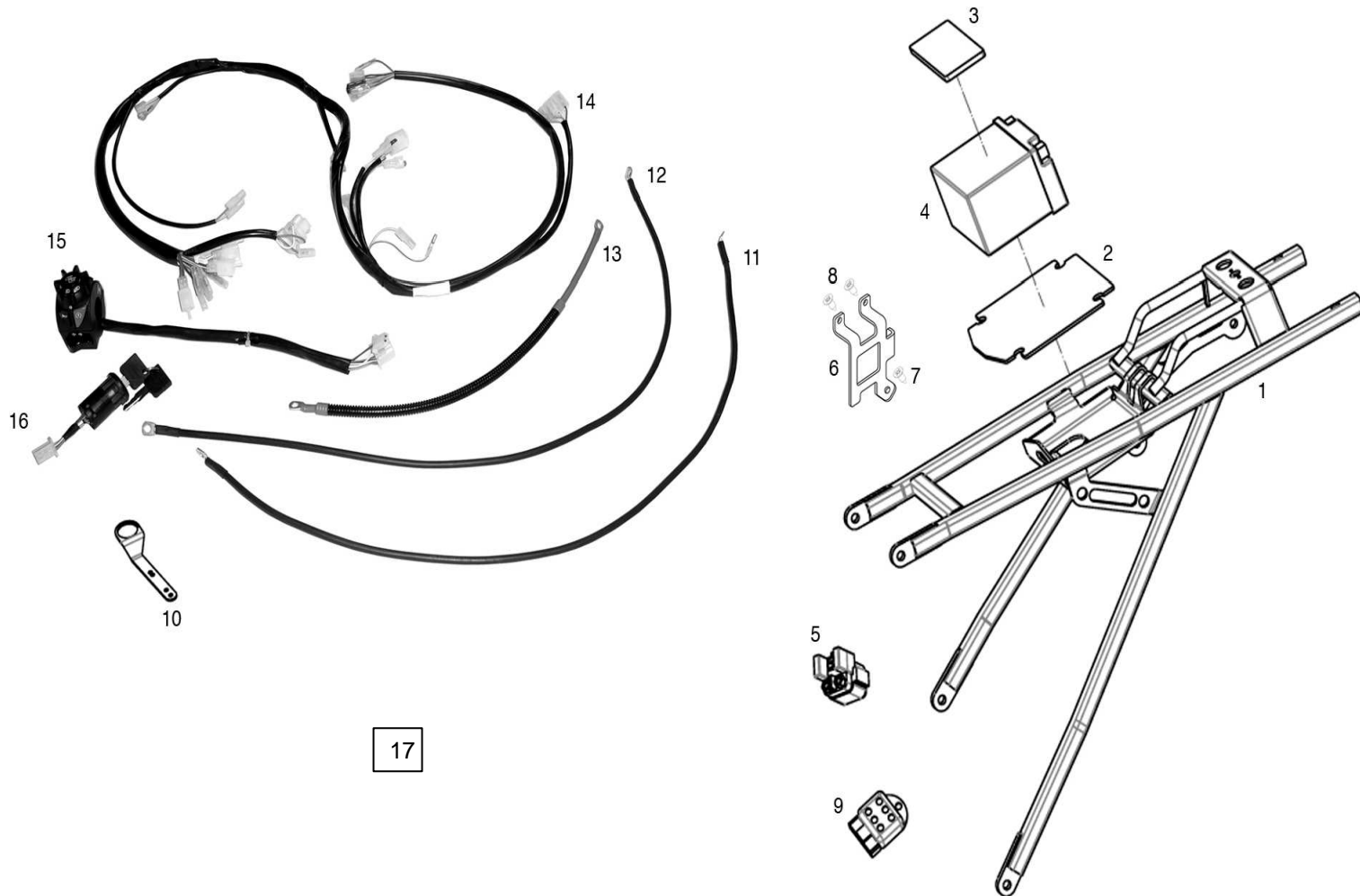
A large, stylized white logo consisting of two interlocking 'G' shapes, positioned in the upper left corner of the page.A series of three curved lines, one white and two orange, sweeping from the left side of the page towards the right, creating a sense of motion and speed.

*TECHNOLOGY*  
*&*  
*MOTION*

***GAS GAS***

SEPTIEMBRE / SEPTEMBRE / SETTEMBRE / SEPTEMBER 2010

### ***Cableado y subchasis arranque eléctrico / Wiring and subframe electric starter***



Nº	DESCRIPCION / DESCRIPTION	300cc	Cant.
1	SUBCHASIS 2T CON BATERIA / SUBFRAME 2 STROCKES WITH BATTERY	BE120002510	1
2	GOMA BASE BATERÍA / RUBBER PLATE UNDER BATTERY	BE450012510	1
3	ESPUMA SOBRE BATERÍA / FOAM PLATE ABOVE BATTERY	BE450102510	1
4	BATERÍA YTZ 7 S / BATTERY YTZ 7 S	BFS400134080/3	1
5	RELÉ / RELAY	BFS3407524001	1
6	SOPORTE CDI / ECU SUPPORT	EE551002508	1
7	TORNILLO PHILIPS 6,6X16 / PHILIPS SCREW 6,3X16	T0706316	1
8	TORNILLO / SCREW	MFS450580013	2
9	REGULADOR / VOLTAGE REGULATOR AND RECTIFIER	EE512002510	1
10	SOPORTE LLAVE DE CONTACTO / SUPPORT FOR IGNITION KEY	BE050634072	1
11	CABLE RELE MOTOR ARRANQUE ENDURO 2T / STARTER RELAY CABLE EC 2 STROKES	EE401102510	1
12	CABLE NEGATIVO BATERÍA EC 2T / BATTERY NEGATIVE POLE CABLE EC 2 STROKES	EE400102510	1
13	CABLE POSITIVO BATERIA EC 2T / BATTERY POSITIVE POLE CABLE EC 2 STROKES	EE400152510	1
14	INSTALACION ELECTRICA COMPLETA EC 2T ELEC. / WIRING HARNESS	EE101002510	1
15	CONMUTADOR LUCES ARRAN. ELEC. / START-STOP-LIGHT SWITCH	EE602002510	1
16	CERRADURA DE CONTACTO CON CIERRE / IGNITION KEY	BQ050434032	1
17	KIT ARRANQUE ELÉCTRICO	EE855002510	1

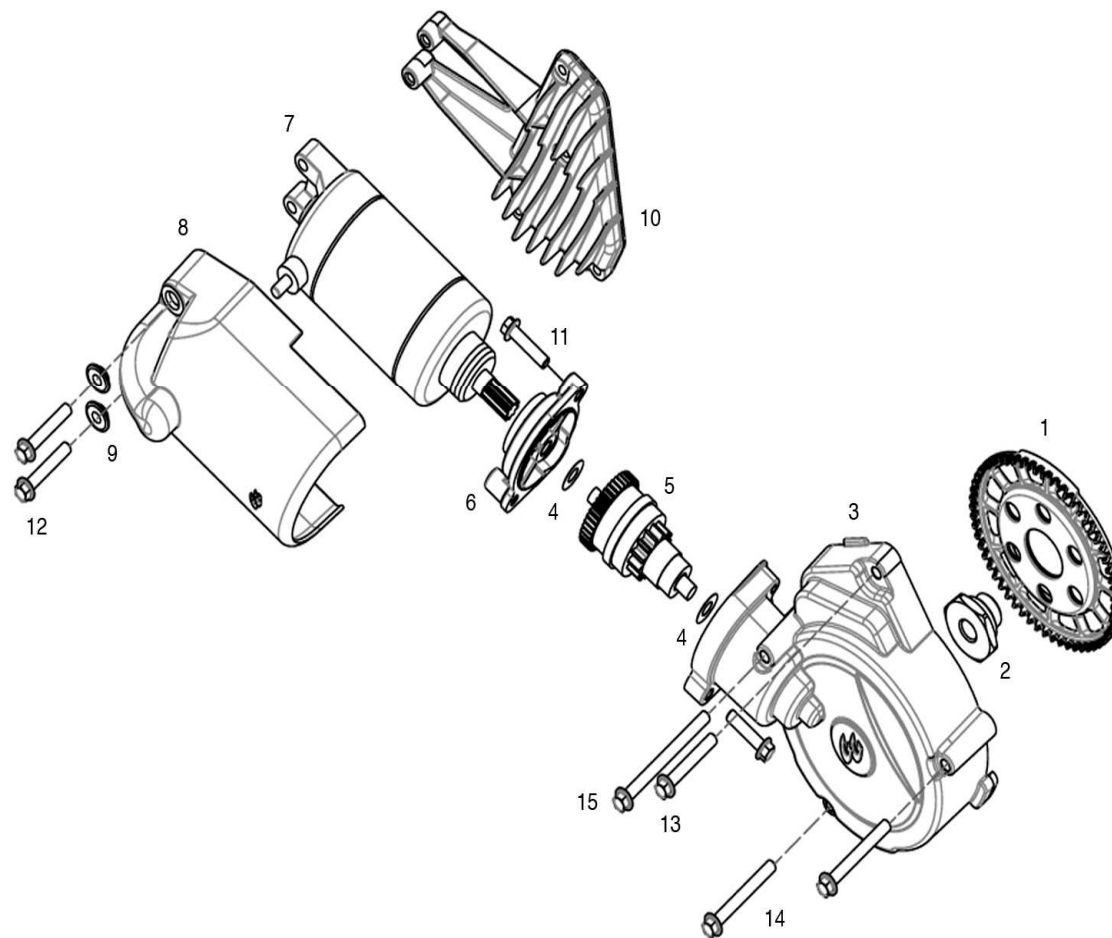
**GAS GAS**

**Chasis 1**

**Motor arranque  
eléctrico / Electric**

**GAS GAS**

**EC-250/300-E 2011**



**1**

Nº	DESCRIPCION / DESCRIPTION	300cc	Cant.
1	CORONA DE ARRANQUE / IGNITION SPROKET	EE802002510	1
2	TUERCA VOLANTE MAGNÉTICO / ROTOR NUT	ME700102510	1
3	TAPA ENCENDIDO / IGNITION COVER	ME601002510	1
4	ARANDELA / WASHER	ME25616070	2
5	BENDIX / BENDIX	EE80100CT2510	1
6	TAPA DEL BENDIX / BENDIX COVER	EE801302510	1
7	MOTOR ELÉCTRICO / E-START ENGINE	EE800002510	1
8	TAPA DEL MOTOR ELÉCTRICO / E-START ENGINE COVER	EE851002510	1
9	CASQUILLO / BUSH	BE320602510	2
10	TAPA DE LA VÁLVULA DE ESCAPE / EXHAUST VALVE COVER	ME720302510	1
11	TORNILLO HEXAGONAL M6X25 / SCREW M6X25	T0206025	2
12	TORNILLO HEXAGONAL M6X30 / SCREW M6X30	T0206030	2
13	TORNILLO HEXAGONAL M6X40 / SCREW M6X40	T0206040	1
14	TORNILLO HEXAGONAL M6X50 / SCREW M6X50	T0206050	2
15	TORNILLO HEXAGONAL M6X70 / SCREW M6X70	T0206070	1

**GAS GAS**

**Motor 1**

**Motor arranque  
eléctrico / Electric**

**GAS GAS**

**EC-250/300-E 2011**

