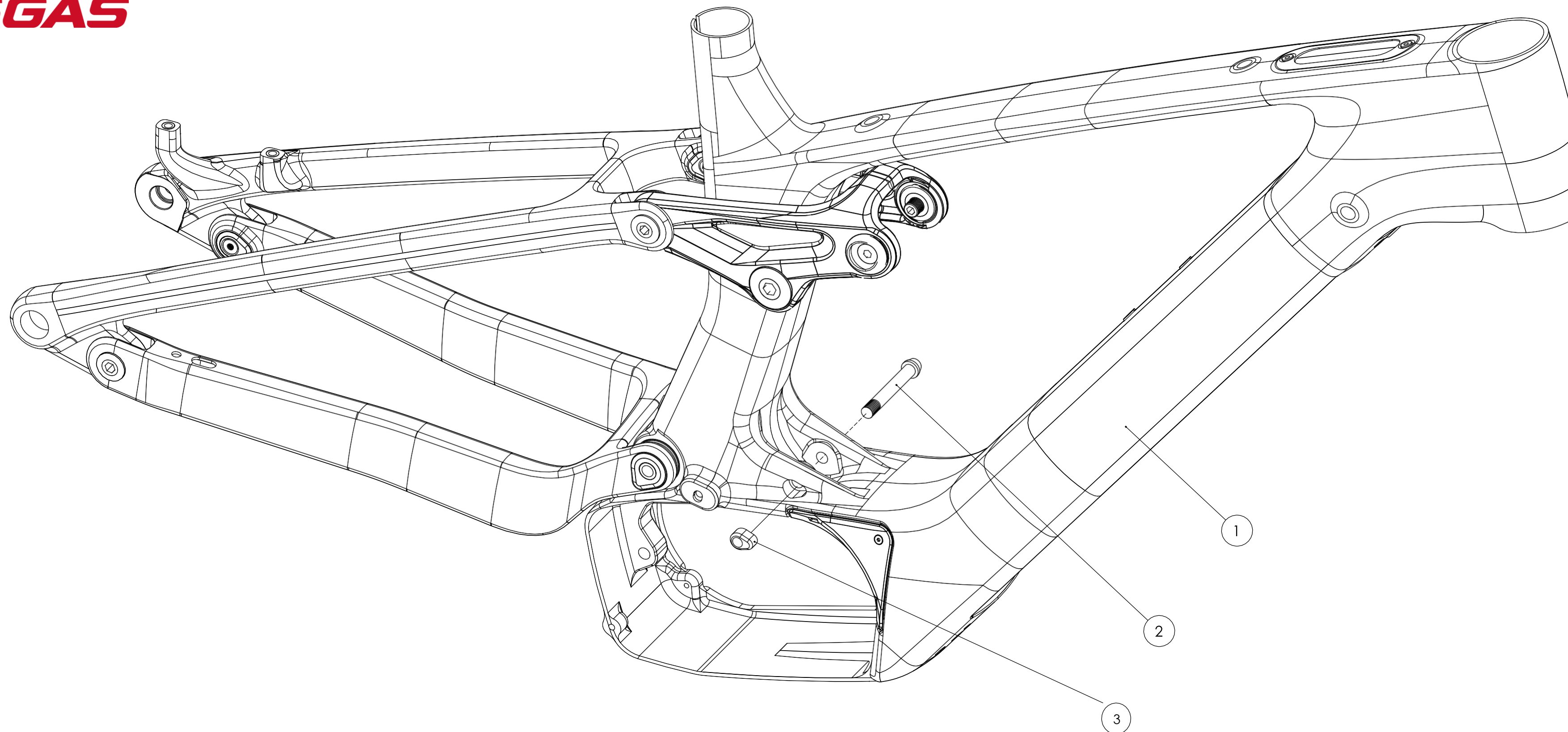




GAS GAS



**Step 1:**

Apply thread lock to the screw.

**Step 2:**

Tighten the damper screw connection to 20NM.

ITEM NO.	DESCRIPTION
1	GASGAS Front triangle
2	GASGAS Shock mount axle
3	Tear shaped nut Shock mount M8x1